

- [54] **ELECTRICAL CONNECTOR FOR COMPUTER POWER CABLE**
- [75] **Inventor: Hartmut Esslinger, Los Gatos, Calif.**
- [73] **Assignee: NeXT, Inc., Redwood City, Calif.**
- [**] **Term: 14 Years**
- [21] **Appl. No.: 214,110**
- [22] **Filed: Jun. 30, 1988**
- [52] **U.S. Cl. D13/141**
- [58] **Field of Search D13/133, 137, 138, 139, D13/141, 142, 143, 144, 145, 146, 147; 439/682, 167, 146, 174, 176, 172**

- [56] **References Cited**
 - U.S. PATENT DOCUMENTS**
 - D. 263,699 4/1982 Vest et al. D13/141
 - FOREIGN PATENT DOCUMENTS**
 - 1203864 4/1986 Canada 439/685
 - 2083716 2/1982 United Kingdom 439/682

OTHER PUBLICATIONS

Global Computer Supplies Catalog, Mar. 1987, p. 26, "Comp-Gard" Plug.
Carol Cordsets Catalog, copyright 1985, p. 16, Standard Heater Cord Plug.
Primary Examiner—Susan J. Lucas
Assistant Examiner—Melody Brown
Attorney, Agent, or Firm—Robert R. Jackson; Laurence S. Rogers; Doreen F. Shulman

CLAIM

The ornamental design for an electrical connector for computer power cable, as shown and described.

DESCRIPTION

FIG. 1 is a top, left, front perspective view of an electrical connector for computer power cable showing my new design, it being understood that the broken lines are for illustrative purposes only and form no part of the claimed design;
FIG. 2 is a right side elevational view thereof, the left side being a mirror image of that shown;
FIG. 3 is a front elevational view thereof;
FIG. 4 is a rear elevational view thereof;
FIG. 5 is a top plan view thereof; and
FIG. 6 is a bottom plan view thereof.

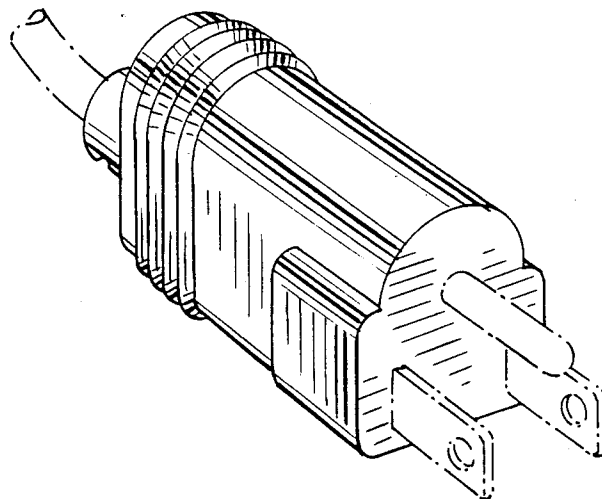


Fig. 1.

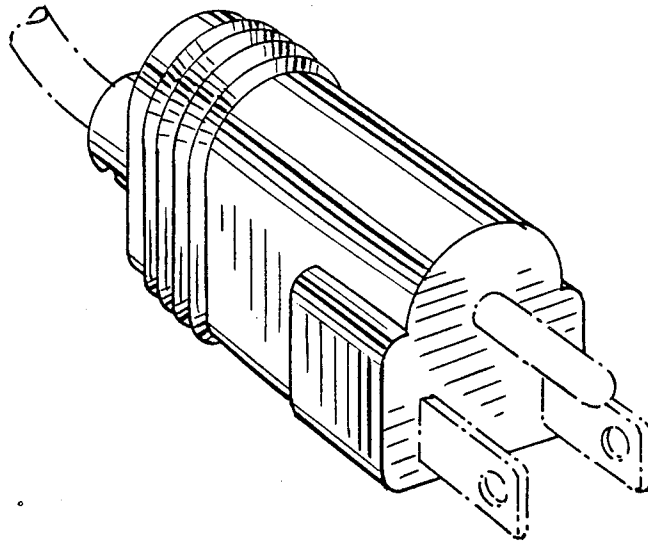


Fig. 2.

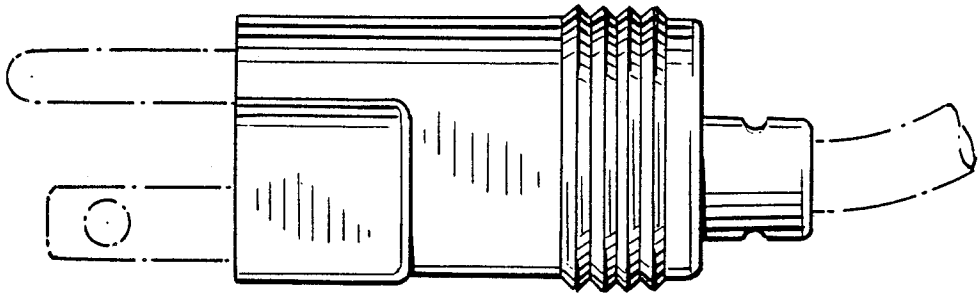


Fig. 4.

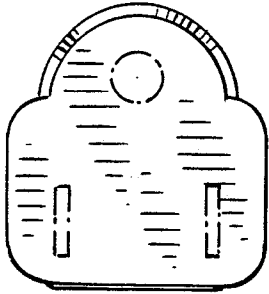


Fig. 5.

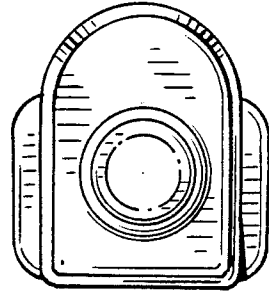


Fig. 3.

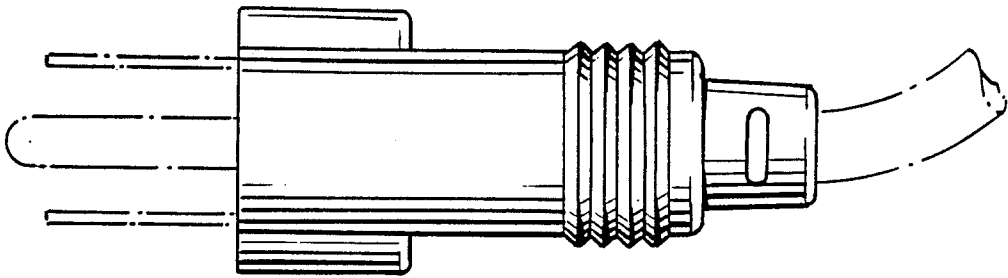


Fig. 6.

