

- [54] ELECTRICAL CONNECTOR FOR COMPUTER POWER CABLE
- [75] Inventor: Hartmut Esslinger, Los Gatos, Calif.
- [73] Assignee: NeXT, Inc., Redwood City, Calif.
- [**] Term: 14 Years
- [21] Appl. No.: 214,142
- [22] Filed: Jun. 30, 1988
- [52] U.S. Cl. D13/137
- [58] Field of Search D13/133, 137, 138, 139, D13/141, 143, 144, 145, 146, 147, 142; 439/682, 685, 167, 146, 176, 172, 174

- [56] **References Cited**
- U.S. PATENT DOCUMENTS**
- | | | | |
|-----------|--------|----------------------|---------|
| 3,795,883 | 3/1974 | Ackerman et al. | 439/682 |
| 4,530,562 | 7/1985 | Reynolds, Jr. | 439/685 |
| 4,725,240 | 2/1988 | Braverman | 439/682 |
- FOREIGN PATENT DOCUMENTS**
- | | | | |
|---------|---------|-------------------|---------|
| 0086790 | 2/1966 | France | 439/685 |
| 6405906 | 11/1965 | Netherlands | 439/685 |

OTHER PUBLICATIONS

Quill Corp. Catalog, copyright 1986, p. 5, IBM Keyboard Cord (c).

Primary Examiner—Susan J. Lucas
Assistant Examiner—Melody Brown
Attorney, Agent, or Firm—Robert R. Jackson; Laurence S. Rogers; Doreen F. Shulman

[57] **CLAIM**

The ornamental design for an electrical connector for computer power cable, as shown and described.

DESCRIPTION

FIG. 1 is a top, left, front perspective view of an electrical connector for computer power cable showing my new design, it being understood that the broken lines are for illustrative purposes only and form no part of the claimed design;

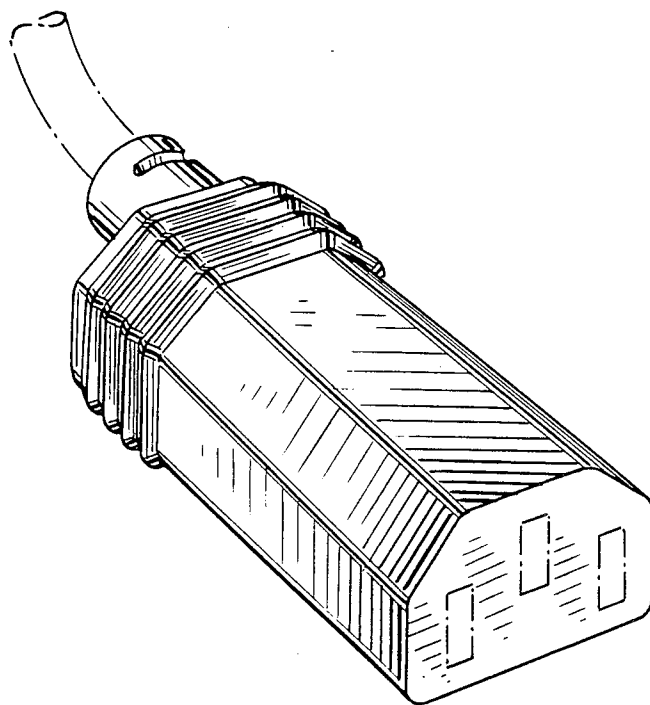
FIG. 2 is a right side elevational view thereof, the left side being a mirror image of that shown;

FIG. 3 is a front elevational view thereof;

FIG. 4 is a rear elevational view thereof;

FIG. 5 is a top plan view thereof; and

FIG. 6 is a bottom plan view thereof.



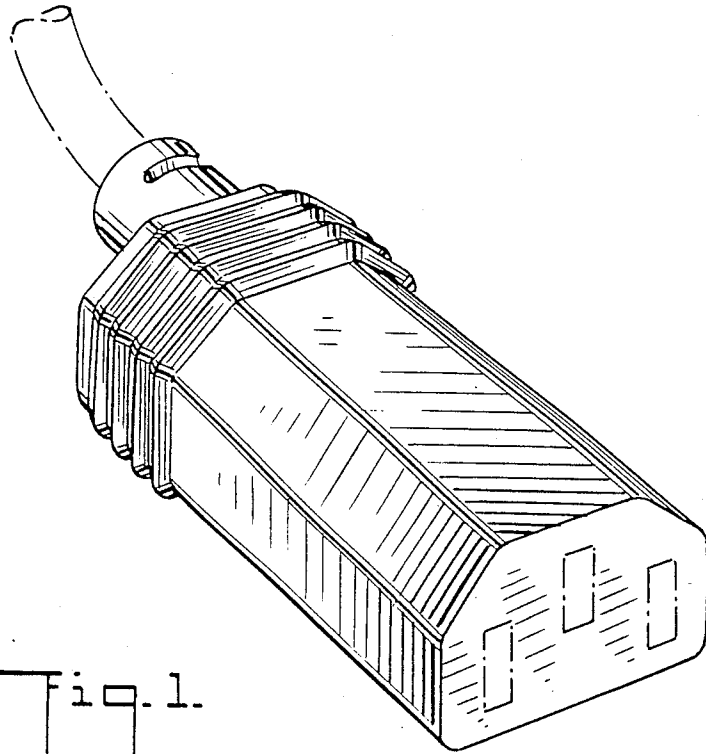


Fig. 1.

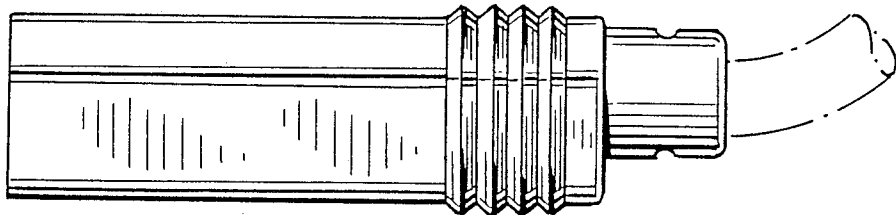


Fig. 2.

Fig. 3.

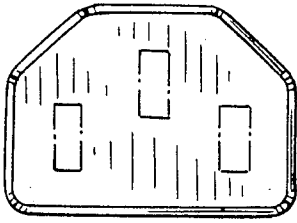


Fig. 4.

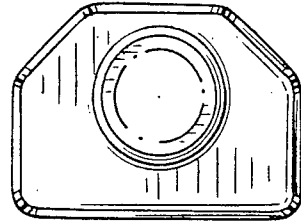


Fig. 5.

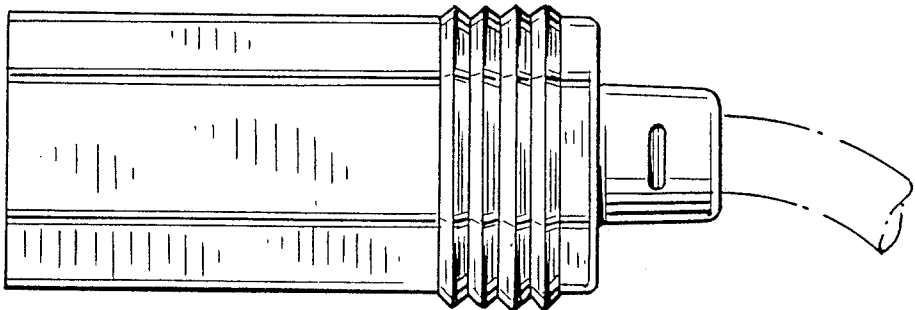


Fig. 6.

