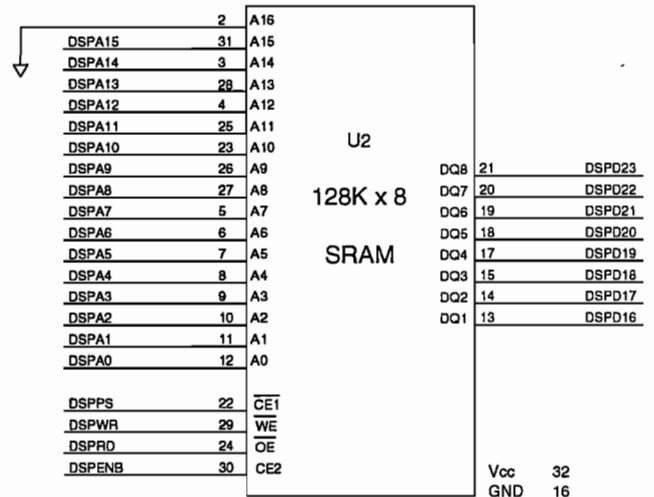
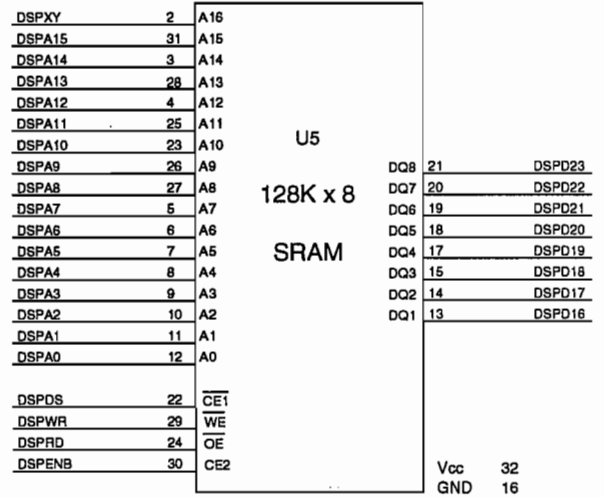
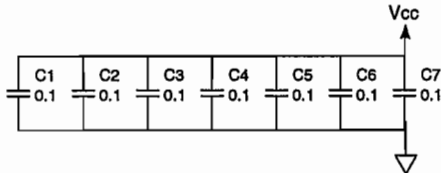
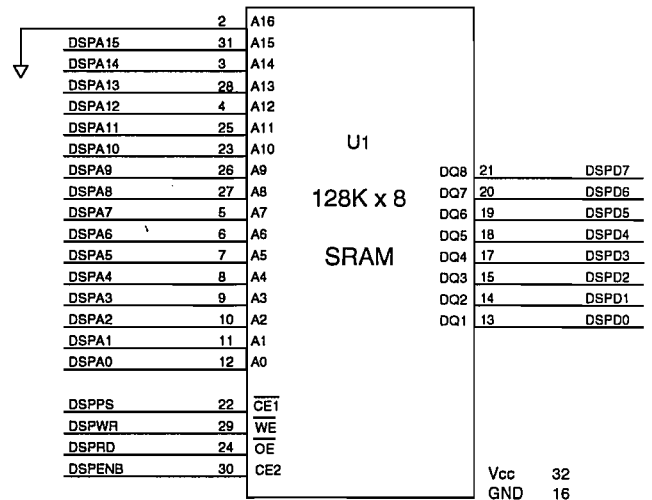
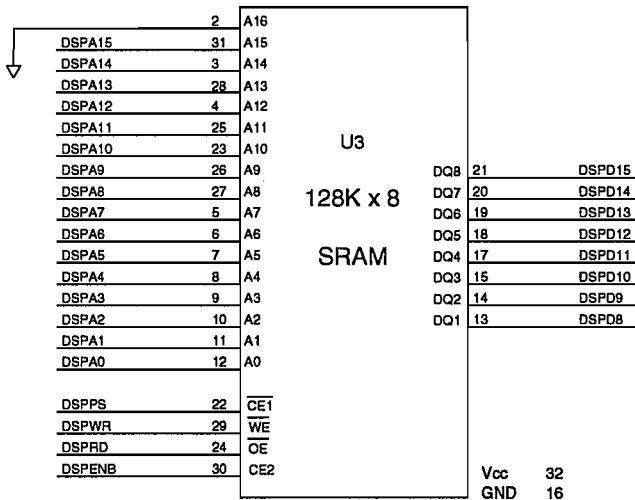
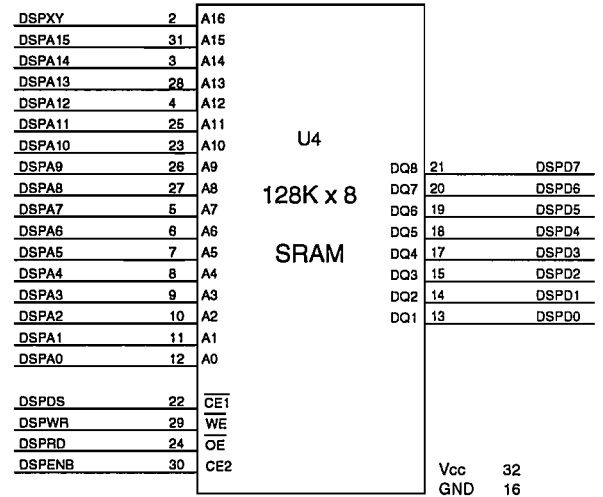
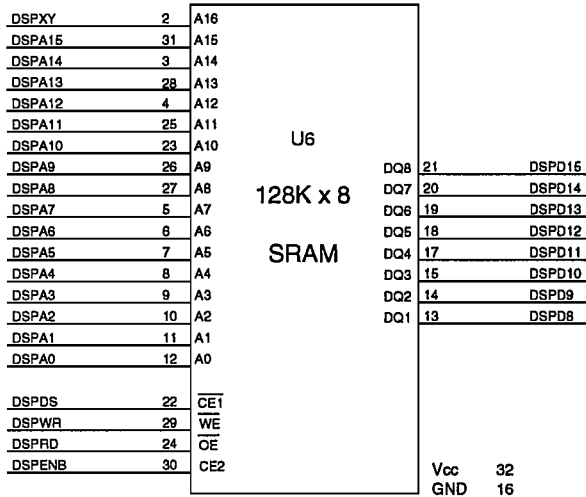


Vcc 14
GND 5,7,9,11,13
N/C 6,8,10,12



©1993 T. Holton and J.D. Miller. All rights reserved. Leopard Design 415/338-1997			
REV	DESCRIPTION	CHANGED BY	DATE
A	Initial Design	JDM & TH	26 Jul 92
	Added DSPRMEM enable	JDM & TH	4 Nov 92
B	Connected SRAMCS to DSPRMEM	JDM & TH	19 Jan 93
128K x 24 NeXT DSP Memory Expansion Module			SHEET 1 OF 2
128K x 24 NeXT DSP Memory Expansion Module			Schematic

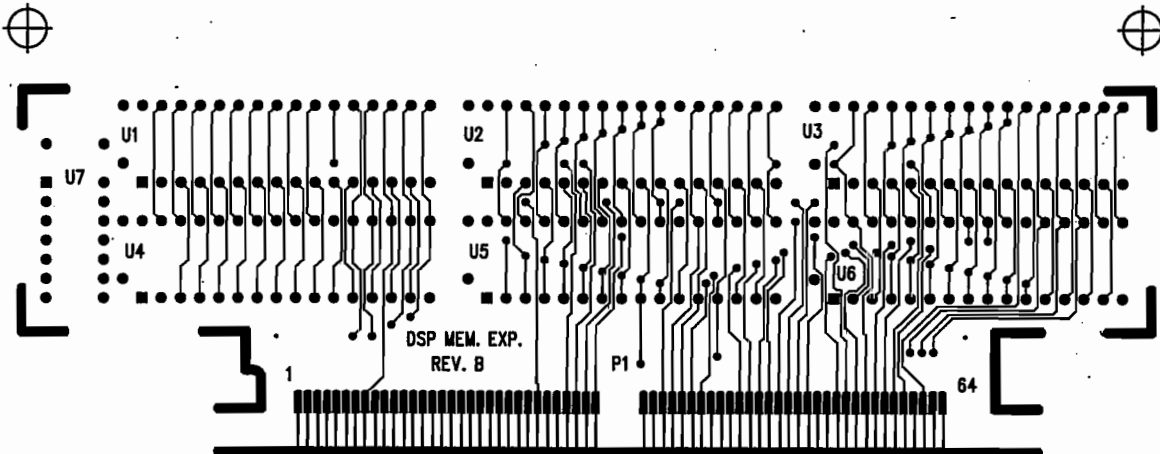


©1993 T. Holton and J.D. Miller. All rights reserved. Leopard Design 415/338-1997			
REV	DESCRIPTION	CHANGED BY	DATE
A	Initial Design	JDM & TH	26 Jul 92
	Added DSPRMEM enable	JDM & TH	4 Nov 92
B	Connected SRAMCS to DSPRMEM	JDM & TH	19 Jan 93
128K x 24 NeXT DSP Memory Expansion Module			Schematic



Component	Part Number	Part Description	Vcc	GND	NC
U1-6	Micron MT5C1008-35	128K x 8Bit Static RAM, 35 ns	32	16	1
U7	74ALS04AN	Hex Inverter	14	5,7,9,11,13	6,8,10,12
C1-7		Bypass Capacitor, 0.1 μ F, 50V 80/20%, Z5U, Ceramic			

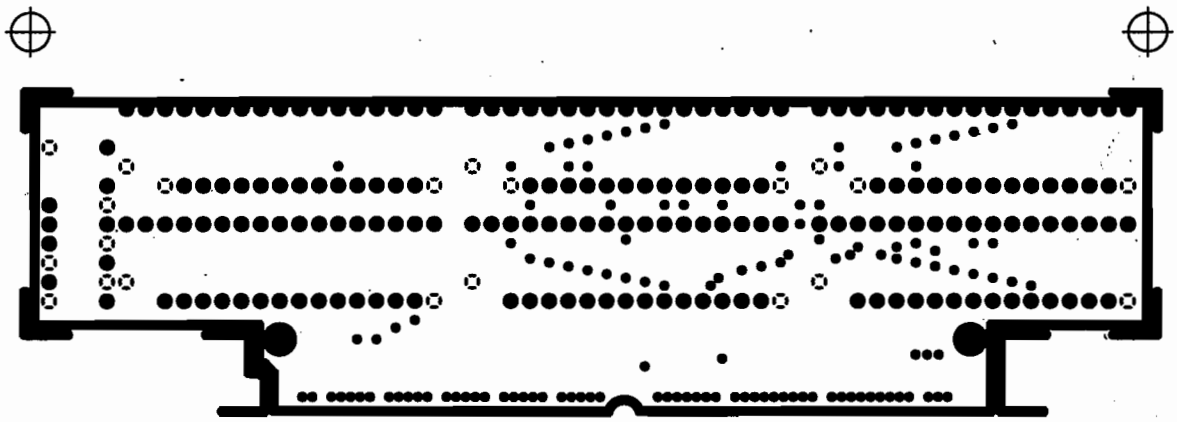
©1993 T. Holton and J.D. Miller. All rights reserved. Leopard Design 415/338-1997				
REV	DESCRIPTION	CHANGED BY	DATE	
A	Initial Design	JDM & TH	26 Jul 92	
	Added DSPRMEM enable	JDM & TH	4 Nov 92	
B	Connected SRAMCS to DSPRMEM	JDM & TH	19 Jan 93	
				SHEET
				1 OF 1
128K x 24 NeXT DSP Memory Expansion Module			Part List	



SILICON VALLEY CONSULTANTS
 DESIGN CENTER 408) 945-8619
 JOB # 1174
 Leopard Design
 NEXT DSP Memory Expansion
 1 10

COMPONENT SIDE BOARD LAYER 1

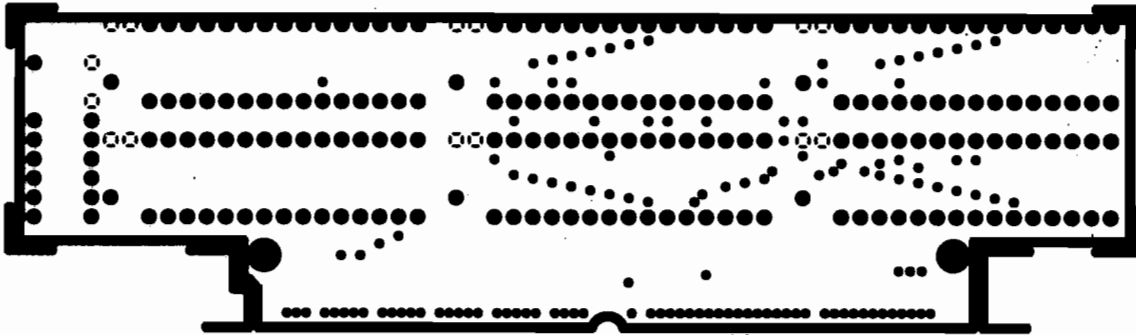
Master Photoplot
 Long Ray Photoplots
 Cam Innovations
 415-851-3111



SILICON VALLEY CONSULTANTS DESIGN CENTER 408) 945-8819 JOB # 1174
Leopard Design NEXT DSP Memory Expansion 78 10

GROUND PLANE BOARD LAYER 2

Master Formulas
Lay. 2 - Groundplane
Jan 1994, 415
01/22/94

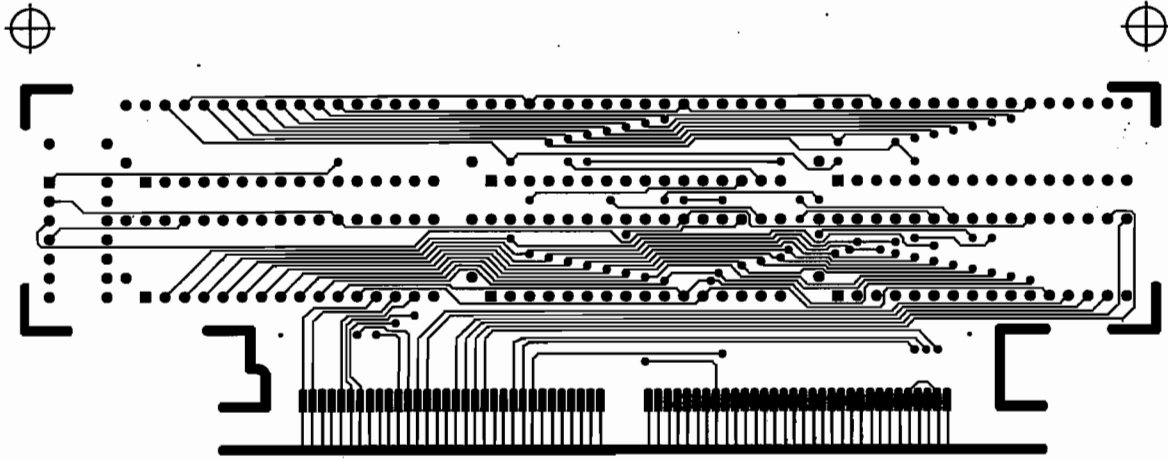


SILICON VALLEY CONSULTANTS
DESIGN CENTER 408) 945-8619 JOB # 1174
Leopard Design
NEXT DSP Memory Expansion
7 910

POWER PLANE BOARD LAYER 3



Master Plotting
Eagle PCB Technology
Case Innovations
415-432-4811

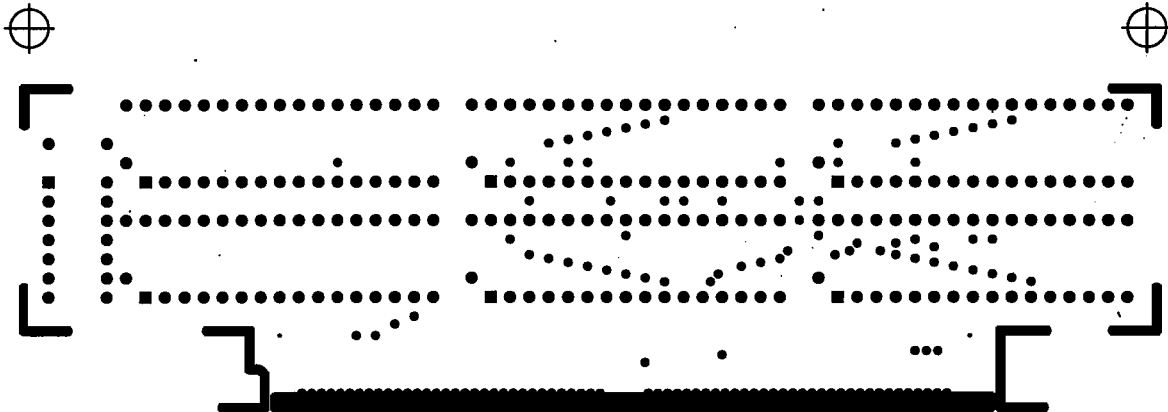


SILICON VALLEY CONSULTANTS	
DESIGN	408) 945-8819
CENTER	JOB # 1174
Leopard Design	
NEXT DSP Memory Expansion	
6	10

SOLDER SIDE BOARD LAYER 4



Westat Photo
Long Bay Photography
Cam Innovations
408-933-1311



SILICON VALLEY CONSULTANTS	
DESIGN CENTER	408) 945-8819 JOB # 1174
Leopard Design	
NEXT DSP Memory Expansion	
10 18	

SOLDERMASK



Master Plotter
Lucky Ray Photography
San Francisco
415-435-4311

DATE
 10/09/93 15:19
 408-946 3252
 CORDOVA CIRCUITS
 005

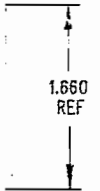
2

1

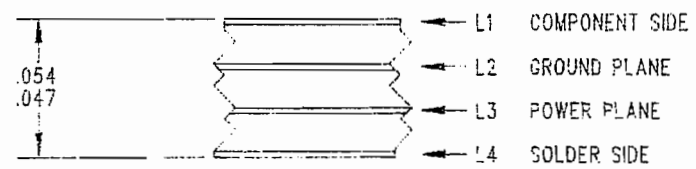
REVISIONS				
ZONE	REV	DESCRIPTION	DATE	APPROVED
	A		8/20/92	
	B		2/5/93	

NOTES: UNLESS OTHERWISE SPECIFIED

1. MATERIAL: .050 THK. 1 OZ. COPPER CLAP EPOXY, FR-4 GRADE OR EQUIVALENT
2. SOLDER PLATE TO BE 60% TIN 40% LEAD +/-10%. SOLDER PLATING TO BE .0025 THK. SURFACE TO BE REFLOWED FRONT AND BACK.
3. HOLE SIZES AND TOLERANCES TO BE AFTER PLATING.
4. HOLES TO BE PLATED THRU. PLATING IN HOLES TO BE .001 MIN. THK.
5. SOLDERMASK COMPONENT AND SOLDER SIDE WITH PC401 OR EQUIV.
6. FABRICATE PER DIMENSIONS SHOWN.



LAYERING DETAIL
 SCALE = NONE



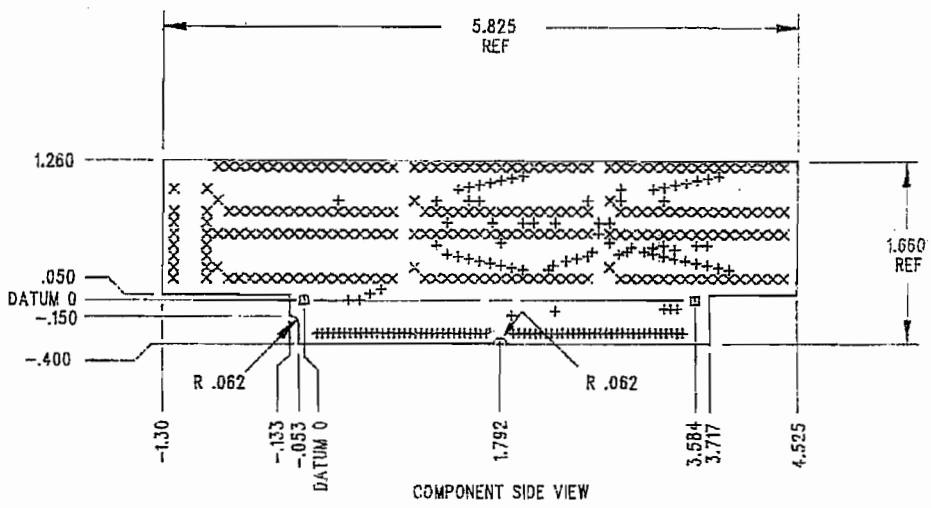
UNLESS OTHERWISE SPECIFIED, DIMENSIONS ARE IN INCHES:	APPROVALS	DATE	SAN FRANCISCO STATE UNIV.			
	DRAWN BY: S V C	25 93			TITLE: FAB DRAWING	
TOLERANCES ARE:	CHECKED		NEXT DISPLAY MEMORY EXPANSION			
ACTIONS: DECIMALS: .XX ± .01	ENGRG					
ANGLES: 0° 30' .XXX ± .005	ISSUED		C	FSCM NO.	DWG NO.	REV.
MATERIAL - SEE NOTE 1	CONTRACT NO.					B
FINISH - SEE NOTE 2						

NOTE: UNLESS
INDICATED
OTHERWISE

0209793 15:18 409 846 3252

CORDOVA CIRCUITS

004



DRILL TABLE				
SYM	SIZE	TOL	QTY	PLATED
+	.020	±.003	137	YES
x	.035	±.003	220	YES
□	.125	±.003	2	NO

		UNLESS OTHERWISE SPECIFIED, DIMENSIONS ARE IN INCH FRACTIONS: ANGLES: 0° MATERIAL - FINISH - SE DO NOT SCALE
NEXT ASSY	USED ON	
APPLICATION		

4

3

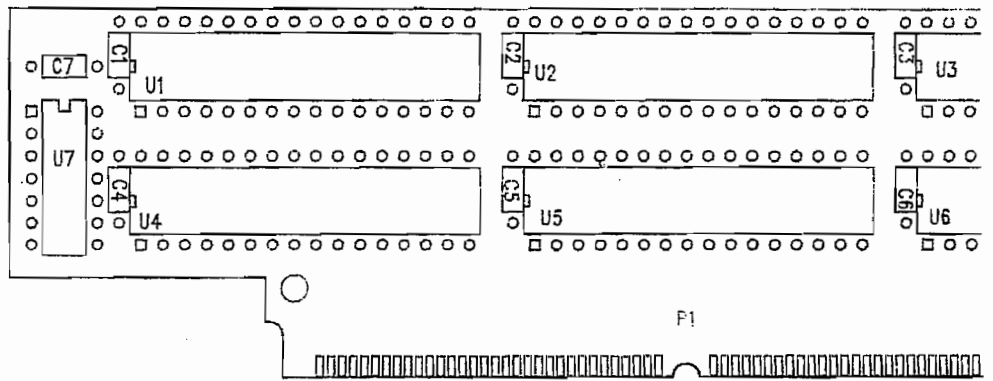
↑

9/93 15:47

408-946 3252

CORDOVA CIRCUITS

003



COMPONENT SIDE VIEW

NEXT ASSY	USED ON
APPLICATION	

15-16

946-3252

CERDOVA CIRCUITS

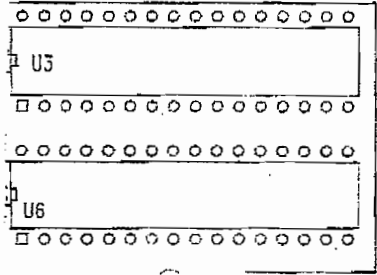
002

2

1

REVISIONS

ZONE	REV	DESCRIPTION	DATE	APPROV
	A		8/20/92	
	B		2/5/93	



UNLESS OTHERWISE SPECIFIED, DIMENSIONS ARE IN INCHES:	APPROVALS	DATE	SAN FRANCISCO STATE UNIV		
	DRAWN BY: SVC	25/93			
TOLERANCES ARE:	CHECKED		TITLE: ASSEMBLY DRAWING NEXT DISPLAY MEMORY EXPANSION		
FRACTIONS: DECIMALS: .XX ± .01	ENGRG				
ANGLES: 0° 30' .XXX ± .005	ISSUED		C	FSCM NO.	DWG NO.
MATERIAL --	CONTRACT NO.			SCALE: 2:1	SHEET 11
FINISH --					
DO NOT SCALE DRAWING					